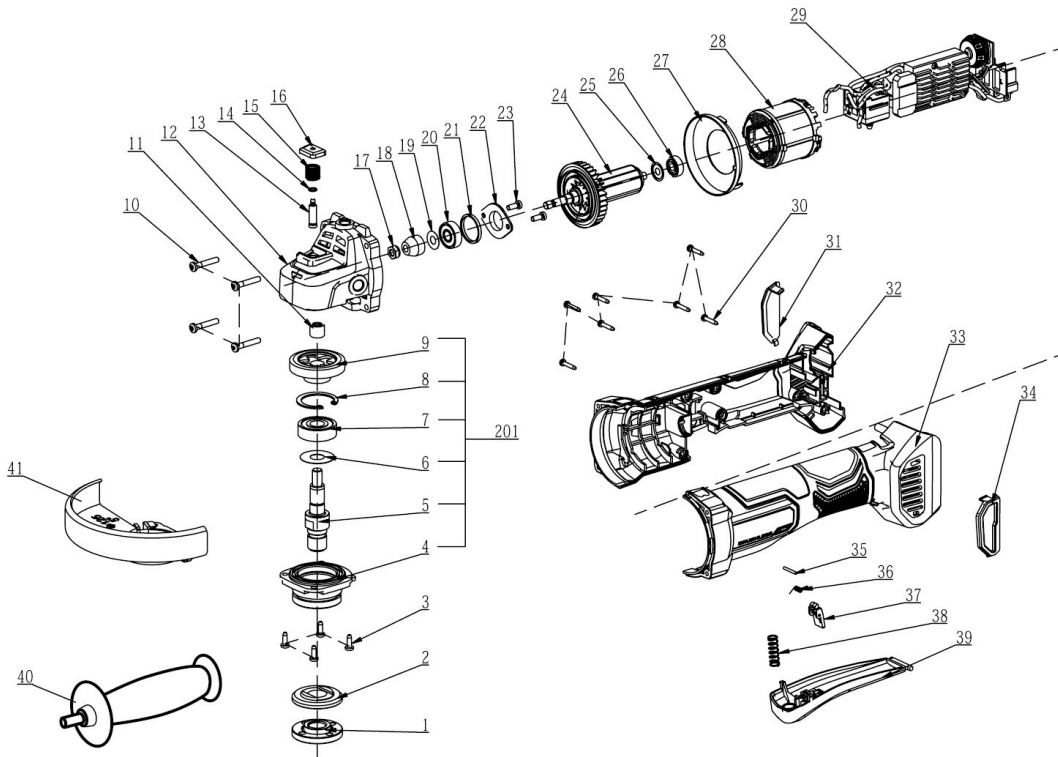




**Cordless Angle Grinder**  
Item No : **DG-501**



## Part List DG-501

NO.	INDEX NO.	DESCRIPTION	Q'TY
1	DG-501P01	Outer Flange	1
2	DG-501P02	Inner Flange	1
3	DG-501T03	Hexagon Socket Screw (4PCS)	1SET
4	DG-501P04	Gear Case Cover	1
5	DG-501P05	Output Shaft	1
6	DG-501P06	Dust Washer	1
7	DG-501P07	Ball Bearing	1
8	DG-501P08	Circlips For Hole	1
9	DG-501P09	Bevel Gear	1
10	DG-501T10	Screw (4PCS)	1SET
11	DG-501P11	Needle Bearing	1
12	DG-501P12	Gear Case	1
13	DG-501P13	Pin Shaft	1
14	DG-501P14	O Ring	1
15	DG-501P15	Spring	1
16	DG-501P16	Lock Button	1
17	DG-501P17	Nut	1
18	DG-501P18	Bevel Pinion	1
19	DG-501P19	Dust Washer	1
20	DG-501P20	Ball Bearing	1
21	DG-501P21	Rubber Ring	1
22	DG-501P22	Bearing Retainer	1
23	DG-501T23	Screw (2PCS)	1SET
24	DG-501P24	Rotor	1
25	DG-501P25	Dust Washer	1
26	DG-501P26	Ball Bearing	1
27	DG-501P27	Fan Baffle	1
28	DG-501P28	Stator	1
29	DG-501P29	Electric Assembly	1
30	DG-501T30	Screw (7PCS)	1SET

NO.	INDEX NO.	DESCRIPTION	Q'TY
31	DG-501P31	Dust Cover	1
32	DG-501P32	Right Housing	1
33	DG-501P33	Left Housing	1
34	DG-501P34	Dust Cover	1
35	DG-501P35	Needle Pin	1
36	DG-501P36	Spring	1
37	DG-501P37	Switch Button	1
38	DG-501P38	Spring	1
39	DG-501P39	Switch Trigger	1
40	DG-501P40	Handle ASSY	1
41	DG-501P41	Guard ASSY	1
K01	DG-501K01	Shaft ASSY ( 4.5.6.7.8.9 )	1SET
K02	DG-501K02	Gear Case Assembly ( 11.12.13.14.15. 16.20.21.22.23 )	1SET
K03	DG-501K03	Rotor Assembly ( 24.25.26 )	1SET
K04	DG-501K04	L R Housing Set ( 32.33 )	1SET
K05	DG-501K05	Switch Lever Assembly ( 35.36.37.38.39 )	1SET